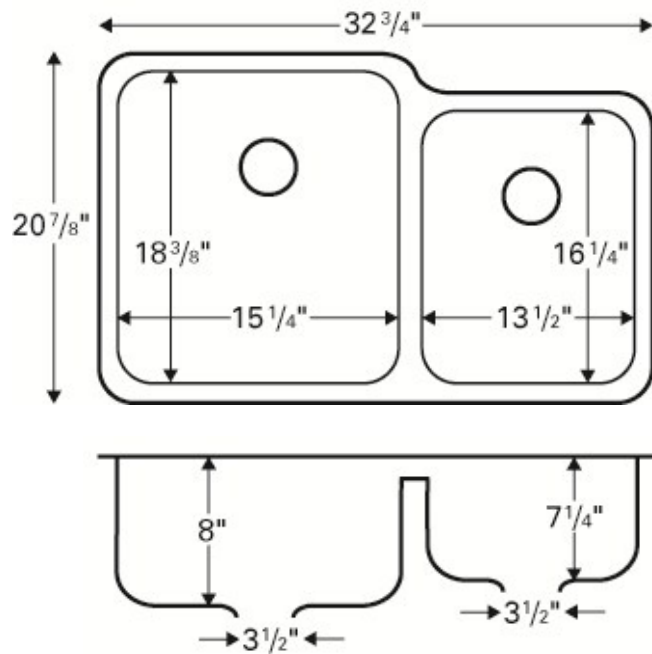


EDGE SERIES

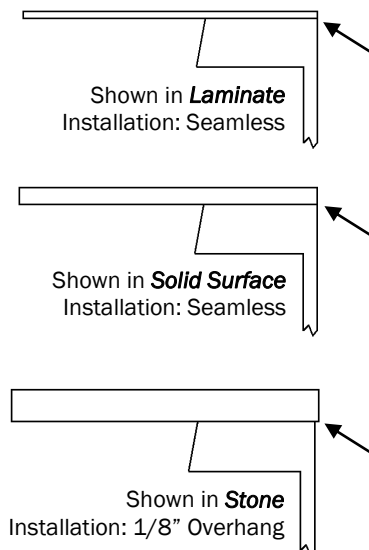
Features and Specifications:

- Large/small bowl kitchen sink
- Manufactured from Type 304 stainless steel
- 18 Gauge
- Underside coated with a sound absorption coating
- Underside affixed with rubber pads for sound absorption
- 1-1/4" x 3/4" machined, resin matrix rim
- Sink surface has a brushed satin finish
- Can only be installed in new countertops, not existing countertops with existing sink cutout
- Undermount installation required. May not be top mounted.
- This sink may be bonded seamlessly into solid surface and laminate
- This sink may be undermounted in all stone products. 1/8" overhang recommended
- Supplied without mounting adhesive, clips or template
- Digital templates for CNC machines are available at www.karran.com
- Strainer baskets shown not included with sink.



Dimensions:

Outside: 32-3/4" x 20-7/8" x 8"
 Inside left bowl: 15-1/4" x 18-3/8" x 8"
 Inside right bowl: 13-1/2" x 16-1/4" x 7-1/4"
 Bowl divider height: 6-1/4"
 Approx. weight unboxed: 20lbs



Edge Series Sink Installed in Laminate



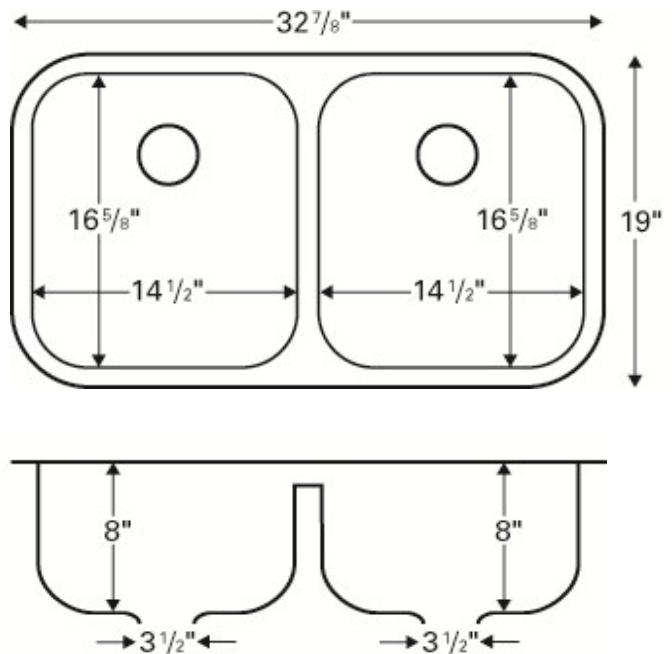
Edge Series Sink Installed in Solid Surface



Karran, your source for seamless integration.

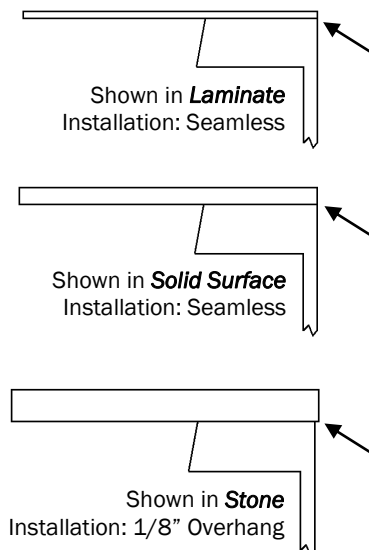
Features and Specifications:

- Double equal bowl kitchen sink
- Manufactured from Type 304 stainless steel
- 18 Gauge
- Underside coated with a sound absorption coating
- Underside affixed with rubber pads for sound absorption
- 1-1/4" x 3/4" machined, resin matrix rim
- Sink surface has a brushed satin finish
- Can only be installed in new countertops, not existing countertops with existing sink cutout
- Undermount installation required. May not be top mounted.
- This sink may be bonded seamlessly into solid surface and laminate
- This sink may be undermounted in all stone products. 1/8" overhang recommended
- Supplied without mounting adhesive, clips or template
- Digital templates for CNC machines are available at www.karran.com
- Strainer baskets shown not included with sink.



Dimensions:

Outside: 32-7/8" x 19" x 8"
 Inside left bowl: 14-1/2" x 16-5/8" x 8"
 Inside right bowl: 14-1/2" x 16-5/8" x 8"
 Bowl Divider Height: 6-1/4"
 Approx. weight unboxed: 20lbs



Edge Series Sink Installed in Laminate



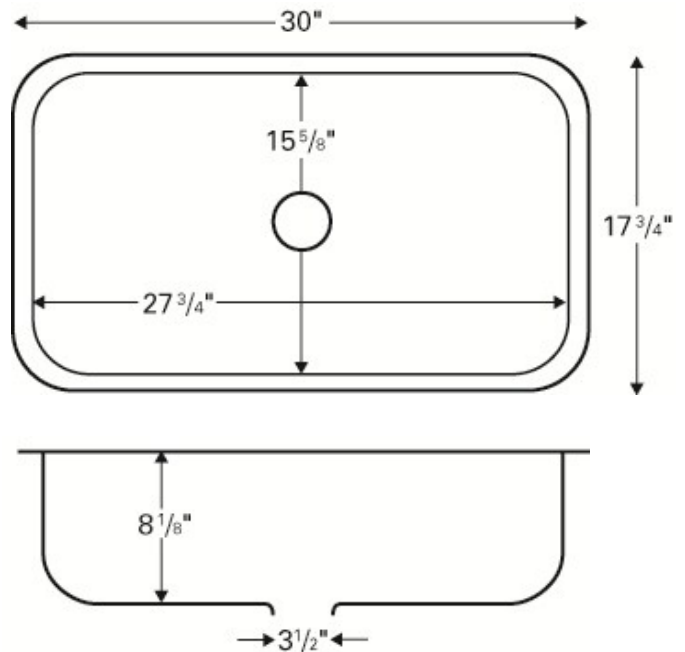
Edge Series Sink Installed in Solid Surface



Karran, your source for seamless integration.

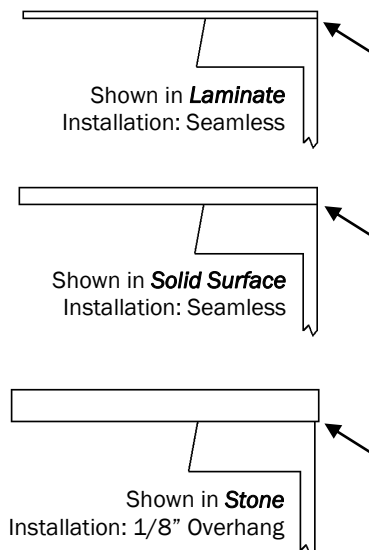
Features and Specifications:

- Extra large single bowl kitchen sink
- Manufactured from Type 304 stainless steel
- 18 Gauge
- Underside coated with a sound absorption coating
- Underside affixed with rubber pads for sound absorption
- 1-1/4" x 3/4" machined, resin matrix rim
- Sink surface has a brushed satin finish
- Can only be installed in new countertops, not existing countertops with existing sink cutout
- Undermount installation required. May not be top mounted.
- This sink may be bonded seamlessly into solid surface and laminate
- This sink may be undermounted in all stone products. 1/8" overhang recommended
- Supplied without mounting adhesive, clips or template
- Digital templates for CNC machines are available at www.karran.com
- Strainer baskets shown not included with sink.



Dimensions:

Outside: 30" x 17-3/4" x 8-1/8"
 Inside: 27-3/4" x 15-5/8" x 8-1/8"
 Approx. weight unboxed: 20lbs



Edge Series Sink Installed in Laminate



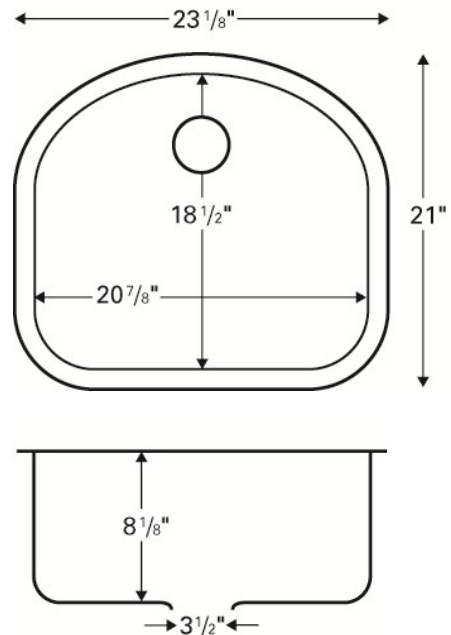
Edge Series Sink Installed in Solid Surface



Karran, your source for seamless integration.

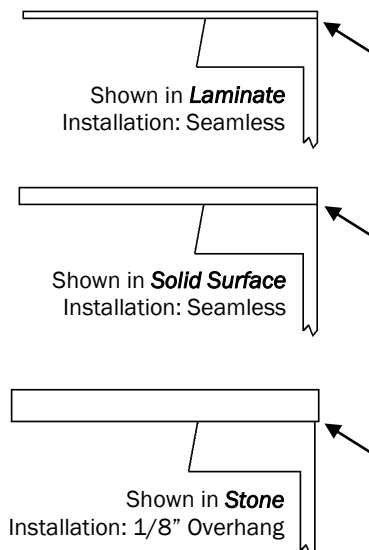
Features and Specifications:

- D-Shaped single bowl kitchen sink
- Manufactured from Type 304 stainless steel
- 18 Gauge
- Underside coated with a sound absorption coating
- Underside affixed with rubber pads for sound absorption
- 1-1/4" x 3/4" machined, resin matrix rim
- Sink surface has a brushed satin finish
- Can only be installed in new countertops, not existing countertops with existing sink cutout
- Undermount installation required. May not be top mounted.
- This sink may be bonded seamlessly into solid surface and laminate
- This sink may be undermounted in all stone products. 1/8" overhang recommended
- Supplied without mounting adhesive, clips or template
- Digital templates for CNC machines are available at www.karran.com
- Strainer baskets shown not included with sink.



Dimensions:

Outside: 23-1/8" x 21" x 8-1/8"
 Inside: 20-7/8" x 18-1/2" x 8-1/8"
 Approx. weight unboxed: 20lbs



Edge Series Sink Installed in Laminate



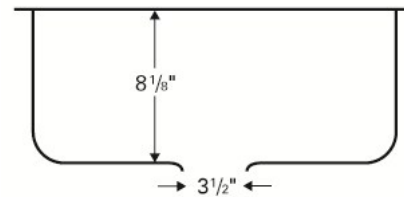
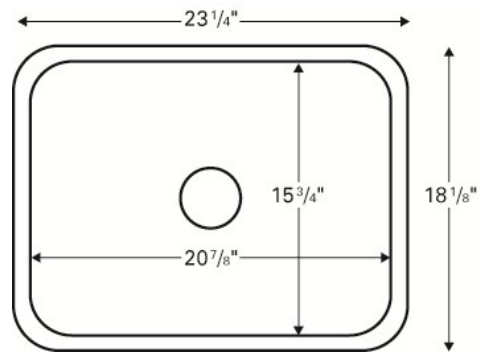
Edge Series Sink Installed in Solid Surface



Karran, your source for seamless integration.

Features and Specifications:

- Single bowl kitchen sink
- Manufactured from Type 304 stainless steel
- 18 Gauge
- Underside coated with a sound absorption coating
- Underside affixed with rubber pads for sound absorption
- 1-1/4" x 3/4" machined, resin matrix rim
- Sink surface has a brushed satin finish
- Can only be installed in new countertops, not existing countertops with existing sink cutout
- Undermount installation required. May not be top mounted.
- This sink may be bonded seamlessly into solid surface and laminate
- This sink may be undermounted in all stone products. 1/8" overhang recommended
- Supplied without mounting adhesive, clips or template
- Digital templates for CNC machines are available at www.karran.com
- Strainer baskets shown not included with sink.

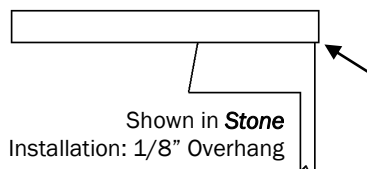
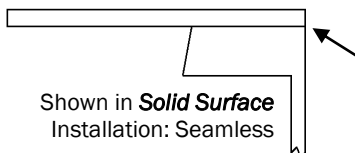
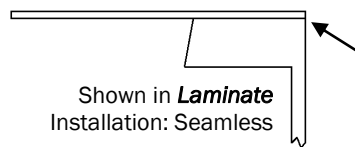


Dimensions:

Outside: 23-1/4" x 18-1/8" x 8-1/8"

Inside: 20-7/8" x 15-3/4" x 8-1/8"

Approx. weight unboxed: 20lbs



Edge Series Sink Installed in Laminate



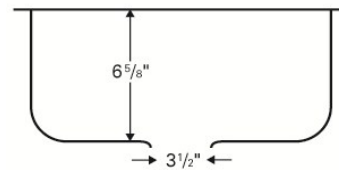
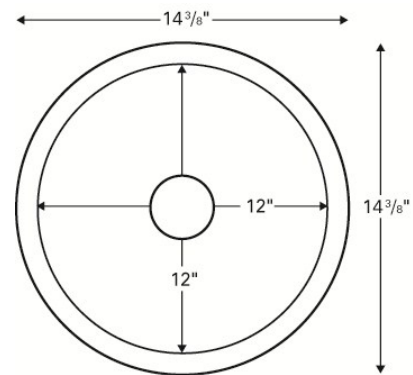
Edge Series Sink Installed in Solid Surface



Karran, your source for seamless integration.

Features and Specifications:

- Bar/prep sink
- Manufactured from Type 304 stainless steel
- 18 Gauge
- Underside coated with a sound absorption coating
- Underside affixed with rubber pads for sound absorption
- 1-1/4" x 3/4" machined, resin matrix rim
- Sink surface has a brushed satin finish
- Can only be installed in new countertops, not existing countertops with existing sink cutout
- Undermount installation required. May not be top mounted.
- This sink may be bonded seamlessly into solid surface and laminate
- This sink may be undermounted in all stone products. 1/8" overhang recommended
- Supplied without mounting adhesive, clips or template
- Digital templates for CNC machines are available at www.karran.com
- Strainer baskets shown not included with sink.

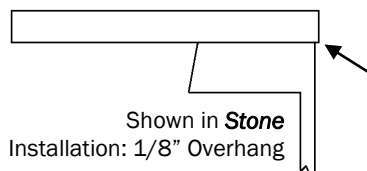
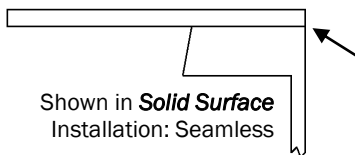
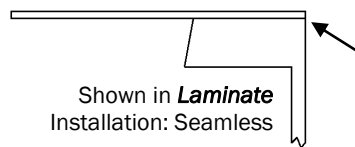


Dimensions:

Outside: 14-3/8" x 14-3/8" x 6-5/8"

Inside: 12" x 12" x 6-5/8"

Approx. weight unboxed: 10lbs



Edge Series Sink Installed in Laminate



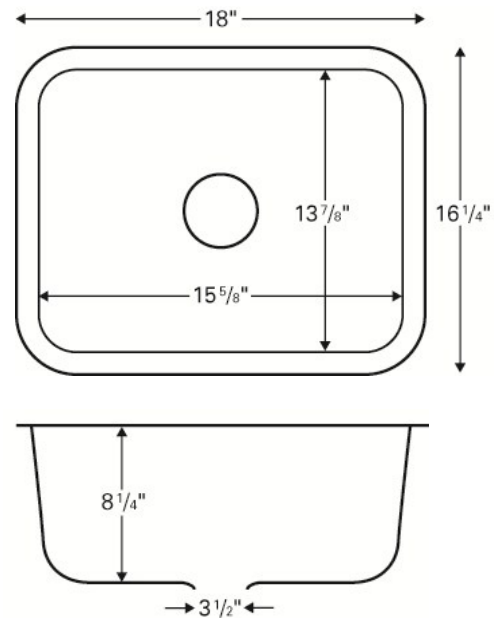
Edge Series Sink Installed in Solid Surface



Karran, your source for seamless integration.

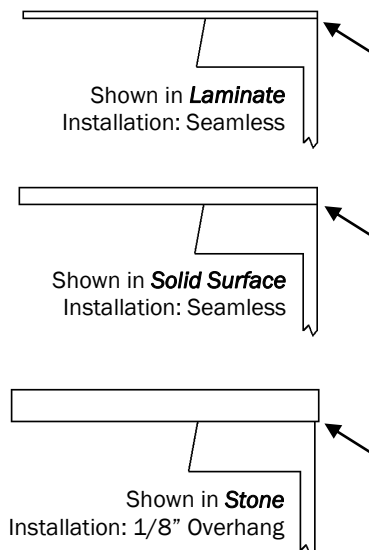
Features and Specifications:

- Bar/prep sink
- Manufactured from Type 304 stainless steel
- 18 Gauge
- Underside coated with a sound absorption coating
- Underside affixed with rubber pads for sound absorption
- 1-1/4" x 3/4" machined, resin matrix rim
- Sink surface has a brushed satin finish
- Can only be installed in new countertops, not existing countertops with existing sink cutout
- Undermount installation required. May not be top mounted.
- This sink may be bonded seamlessly into solid surface and laminate
- This sink may be undermounted in all stone products. 1/8" overhang recommended
- Supplied without mounting adhesive, clips or template
- Digital templates for CNC machines are available at www.karran.com
- Strainer baskets shown not included with sink.



Dimensions:

Outside: 18" x 16-1/4" x 8-1/4"
 Inside: 15-5/8" x 13-7/8" x 8-1/4"
 Approx. weight unboxed: 15lbs



Edge Series Sink Installed in Laminate



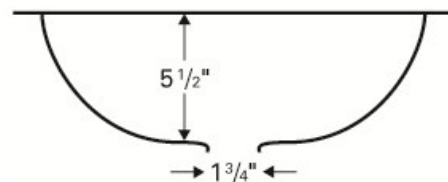
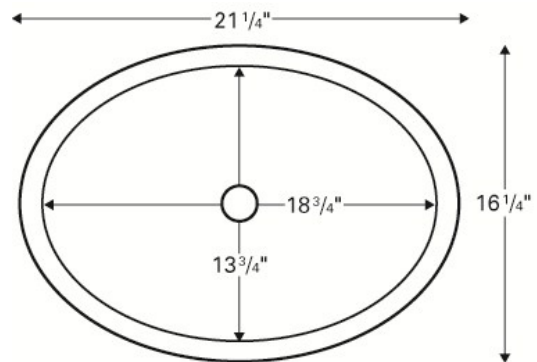
Edge Series Sink Installed in Solid Surface



Karran, your source for seamless integration.

Features and Specifications:

- Vanity sink
- Manufactured from Type 304 stainless steel
- 18 Gauge
- Underside coated with a sound absorption coating
- Underside affixed with rubber pads for sound absorption
- 1-1/4" x 3/4" machined, resin matrix rim
- Sink surface has a brushed satin finish
- Can only be installed in new countertops, not existing countertops with existing sink cutout
- Undermount installation required. May not be top mounted.
- This sink may be bonded seamlessly into solid surface and laminate
- This sink may be undermounted in all stone products. 1/8" overhang recommended
- Supplied without mounting adhesive, clips or template
- Digital templates for CNC machines are available at www.karran.com
- Strainer baskets shown not included with sink.
- ADA Compliant when installed per Americans With Disabilities Act Accessibility Guidelines, Section 606 Sinks.

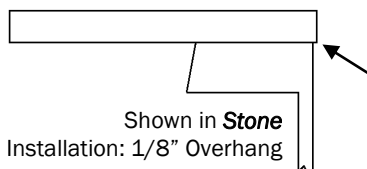
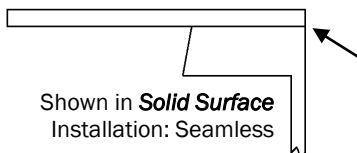
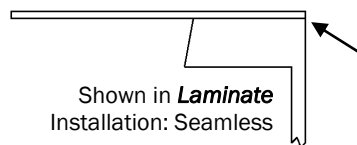


Dimensions:

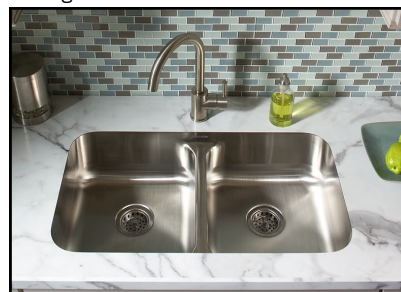
Outside: 21-1/4" x 16-1/4" x 5-1/2"

Inside: 18-3/4" x 13-3/4" x 5-1/2"

Approx. weight unboxed: 12lbs



Edge Series Sink Installed in Laminate



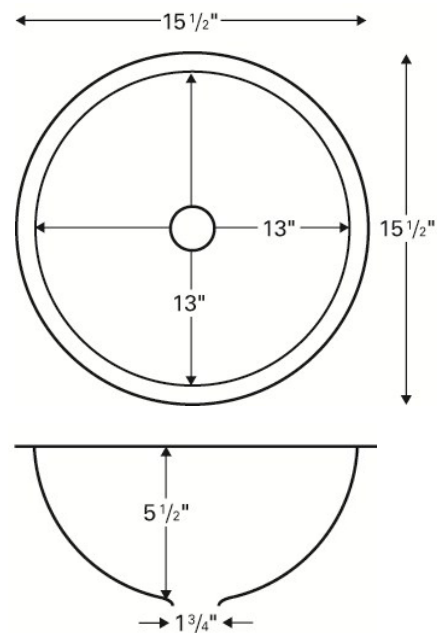
Edge Series Sink Installed in Solid Surface



Karran, your source for seamless integration.

Features and Specifications:

- Vanity sink
- Manufactured from Type 304 stainless steel
- 18 Gauge
- Underside coated with a sound absorption coating
- Underside affixed with rubber pads for sound absorption
- 1-1/4" x 3/4" machined, resin matrix rim
- Sink surface has a brushed satin finish
- Can only be installed in new countertops, not existing countertops with existing sink cutout
- Undermount installation required. May not be top mounted.
- This sink may be bonded seamlessly into solid surface and laminate
- This sink may be undermounted in all stone products. 1/8" overhang recommended
- Supplied without mounting adhesive, clips or template
- Digital templates for CNC machines are available at www.karran.com
- Strainer baskets shown not included with sink.
- ADA Compliant when installed per Americans With Disabilities Act Accessibility Guidelines, Section 606 Sinks.

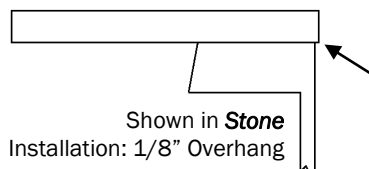
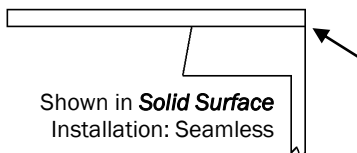
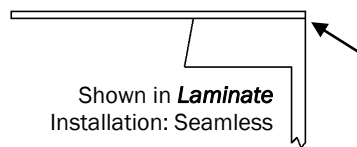


Dimensions:

Outside: 15-1/2" x 15-1/2" x 5-1/2"

Inside: 13" x 13" x 5-1/2"

Approx. weight unboxed: 12lbs



Edge Series Sink Installed in Laminate



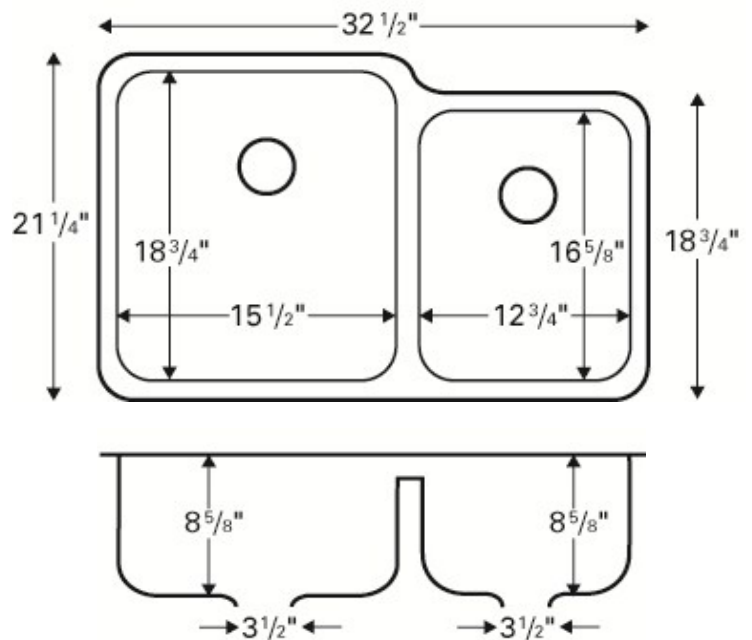
Edge Series Sink Installed in Solid Surface



Karran, your source for seamless integration.

Features and Specifications:

- Large/small bowl kitchen sink
- Manufactured from Type 304 stainless steel
- 18 Gauge
- Underside coated with a sound absorption coating
- Underside affixed with rubber pads for sound absorption
- 1-1/4" x 3/4" machined, resin matrix rim
- Sink surface has a brushed satin finish
- Can only be installed in new countertops, not existing countertops with existing sink cutout
- Undermount installation required. May not be top mounted.
- This sink may be bonded seamlessly into solid surface and laminate
- This sink may be undermounted in all stone products. 1/8" overhang recommended
- Supplied without mounting adhesive, clips or template
- Digital templates for CNC machines are available at www.karran.com
- Strainer baskets shown not included with sink.



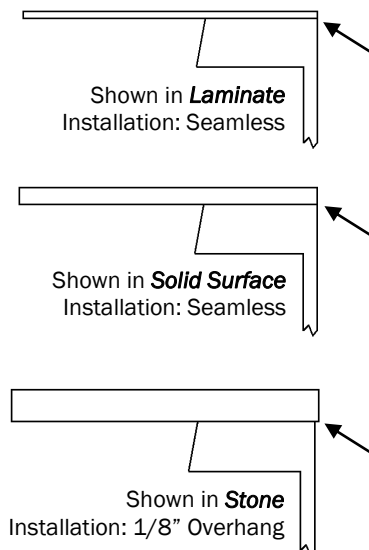
Compliance Certifications:

- Meets or exceeds:
ANSI Z124.6
CAN/CSA B45



Dimensions:

Outside: 32-1/2" x 21-1/4" x 8-5/8"
 Inside left bowl: 15-1/2" x 18-3/4" x 8-5/8"
 Inside right bowl: 12-3/4" x 16-5/8" x 8-5/8"
 Approx. weight unboxed: 22lbs



Edge Series Sink Installed in Laminate



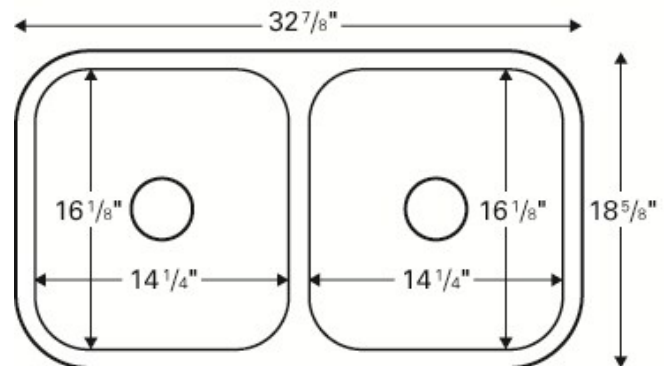
Edge Series Sink Installed in Solid Surface



Karran, your source for seamless integration.

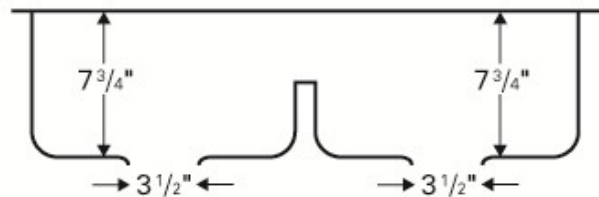
Features and Specifications:

- Double equal bowl kitchen sink
- Manufactured from Type 304 stainless steel
- 18 Gauge
- Underside coated with a sound absorption coating
- Underside affixed with rubber pads for sound absorption
- 1-1/4" x 3/4" machined, resin matrix rim
- Sink surface has a brushed satin finish
- Can only be installed in new countertops, not existing countertops with existing sink cutout
- Undermount installation required. May not be top mounted.
- This sink may be bonded seamlessly into solid surface and laminate
- This sink may be undermounted in all stone products. 1/8" overhang recommended
- Supplied without mounting adhesive, clips or template
- Digital templates for CNC machines are available at www.karran.com
- Strainer baskets shown not included with sink.



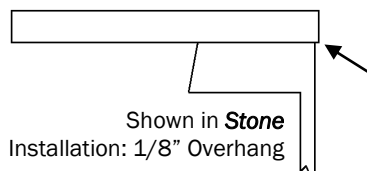
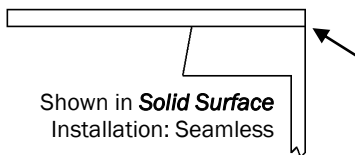
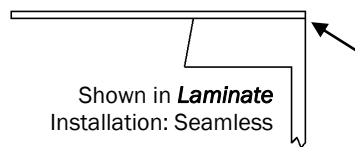
Compliance Certifications:

- Meets or exceeds:
ANSI Z124.6
CAN/CSA B45



Dimensions:

Outside: 32-7/8" x 18-5/8" x 7-3/4"
 Inside left bowl: 14-1/4" x 16-1/8" x 7-3/4"
 Inside right bowl: 14-1/4" x 16-1/8" x 7-3/4"
 Approx. weight unboxed: 22lbs



Edge Series Sink Installed in Laminate



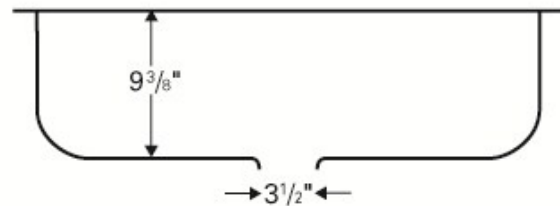
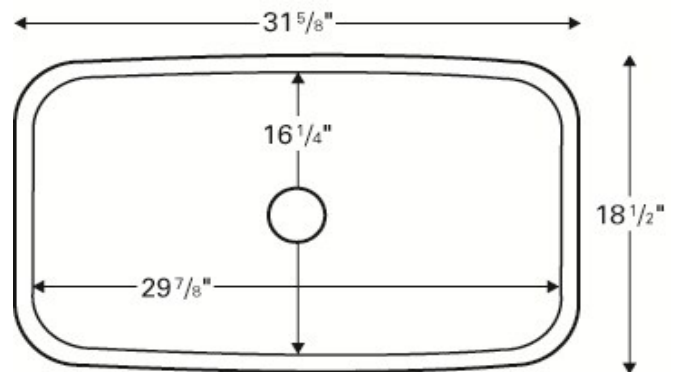
Edge Series Sink Installed in Solid Surface



Karran, your source for seamless integration.

Features and Specifications:

- Extra large single bowl kitchen sink
- Manufactured from Type 304 stainless steel
- 18 Gauge
- Underside coated with a sound absorption coating
- Underside affixed with rubber pads for sound absorption
- 1-1/4" x 3/4" machined, resin matrix rim
- Sink surface has a brushed satin finish
- Can only be installed in new countertops, not existing countertops with existing sink cutout
- Undermount installation required. May not be top mounted.
- This sink may be bonded seamlessly into solid surface and laminate
- This sink may be undermounted in all stone products. 1/8" overhang recommended
- Supplied without mounting adhesive, clips or template
- Digital templates for CNC machines are available at www.karran.com
- Strainer baskets shown not included with sink.



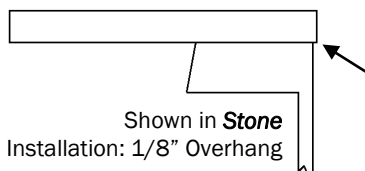
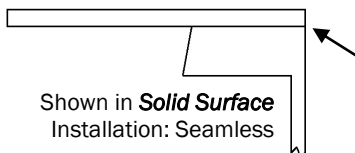
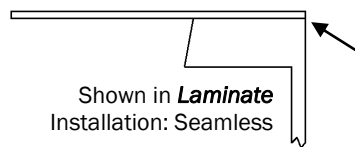
Compliance Certifications:

- Meets or exceeds:
ANSI Z124.6
CAN/CSA B45



Dimensions:

Outside: 31-5/8" x 18-1/2" x 9-3/8"
 Inside: 29-7/8" x 16-1/4" x 9-3/8"
 Approx. weight unboxed: 22lbs



Edge Series Sink Installed in Laminate



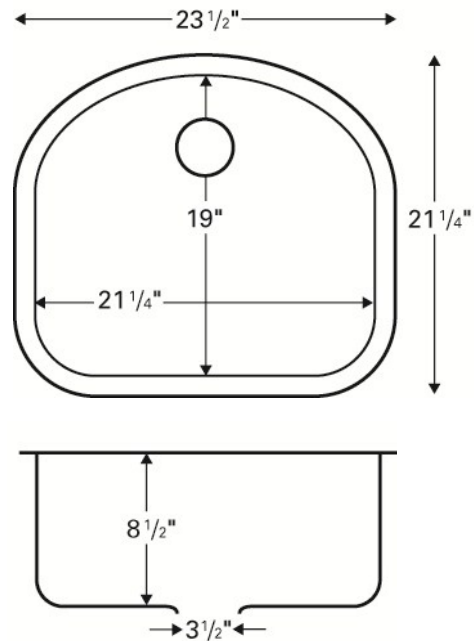
Edge Series Sink Installed in Solid Surface



Karran, your source for seamless integration.

Features and Specifications:

- D-shaped single bowl kitchen sink
- Manufactured from Type 304 stainless steel
- 18 Gauge
- Underside coated with a sound absorption coating
- Underside affixed with rubber pads for sound absorption
- 1-1/4" x 3/4" machined, resin matrix rim
- Sink surface has a brushed satin finish
- Can only be installed in new countertops, not existing countertops with existing sink cutout
- Undermount installation required. May not be top mounted.
- This sink may be bonded seamlessly into solid surface and laminate
- This sink may be undermounted in all stone products. 1/8" overhang recommended
- Supplied without mounting adhesive, clips or template
- Digital templates for CNC machines are available at www.karran.com
- Strainer baskets shown not included with sink.



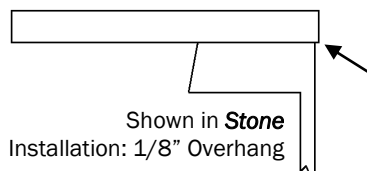
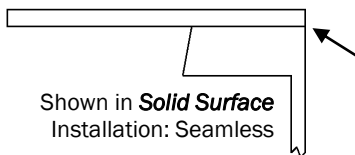
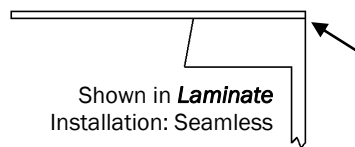
Compliance Certifications:

- Meets or exceeds:
ANSI Z124.6
CAN/CSA B45



Dimensions:

Outside: 23-1/2" x 21-1/4" x 8-1/2"
 Inside: 21-1/4" x 19" x 8-1/2"
 Approx. weight unboxed: 18lbs



Edge Series Sink Installed in Laminate



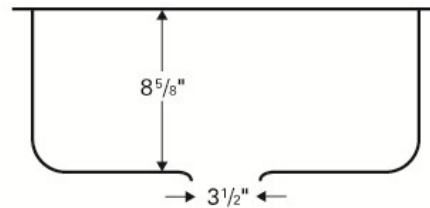
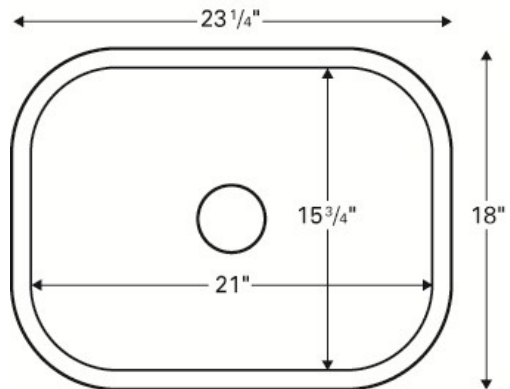
Edge Series Sink Installed in Solid Surface



Karran, your source for seamless integration.

Features and Specifications:

- Single bowl kitchen sink
- Manufactured from Type 304 stainless steel
- 18 Gauge
- Underside coated with a sound absorption coating
- Underside affixed with rubber pads for sound absorption
- 1-1/4" x 3/4" machined, resin matrix rim
- Sink surface has a brushed satin finish
- Can only be installed in new countertops, not existing countertops with existing sink cutout
- Undermount installation required. May not be top mounted.
- This sink may be bonded seamlessly into solid surface and laminate
- This sink may be undermounted in all stone products. 1/8" overhang recommended
- Supplied without mounting adhesive, clips or template
- Digital templates for CNC machines are available at www.karran.com
- Strainer baskets shown not included with sink.



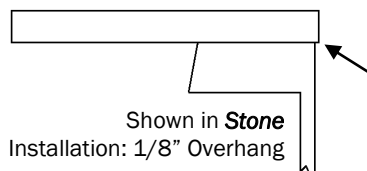
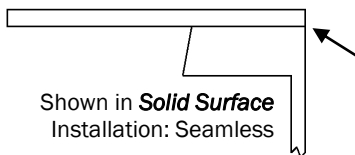
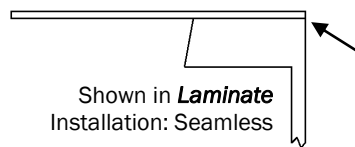
Compliance Certifications:

- Meets or exceeds:
ANSI Z124.6
CAN/CSA B45



Dimensions:

Outside: 23-1/4" x 18" x 8-5/8"
 Inside: 21" x 15-3/4" x 8-5/8"
 Approx. weight unboxed: 18lbs



Edge Series Sink Installed in Laminate



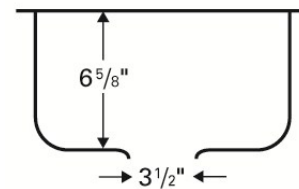
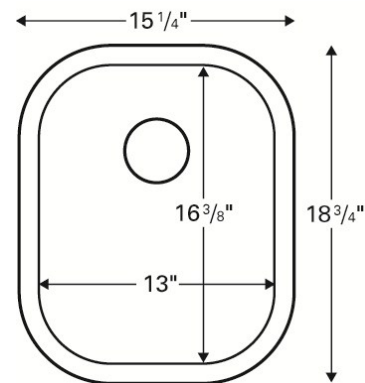
Edge Series Sink Installed in Solid Surface



Karran, your source for seamless integration.

Features and Specifications:

- Bar/prep sink
- Manufactured from Type 304 stainless steel
- 18 Gauge
- Underside coated with a sound absorption coating
- Underside affixed with rubber pads for sound absorption
- 1-1/4" x 3/4" machined, resin matrix rim
- Sink surface has a brushed satin finish
- Can only be installed in new countertops, not existing countertops with existing sink cutout
- Undermount installation required. May not be top mounted.
- This sink may be bonded seamlessly into solid surface and laminate
- This sink may be undermounted in all stone products. 1/8" overhang recommended
- Supplied without mounting adhesive, clips or template
- Digital templates for CNC machines are available at www.karran.com
- Strainer baskets shown not included with sink.
- May be ordered with 2" drain. Call for lead time.



Compliance Certifications:

- Meets or exceeds:
ANSI Z124.6
CAN/CSA B45

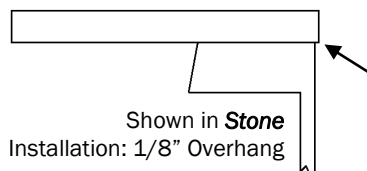
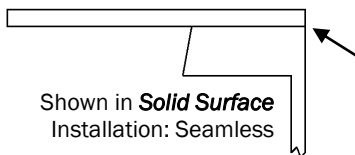
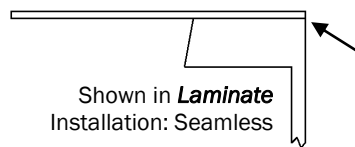


Dimensions:

Outside: 15-1/4" x 18-3/4" x 6-5/8"

Inside: 13" x 16-3/8" x 6-5/8"

Approx. weight unboxed: 12lbs



Edge Series Sink Installed in Laminate



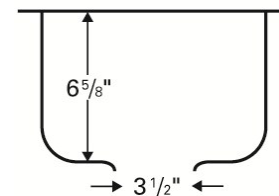
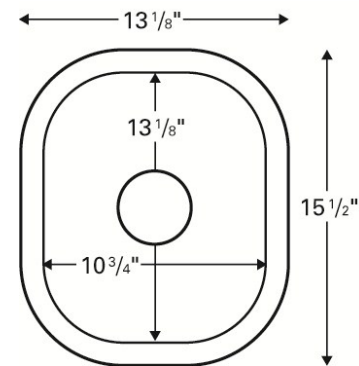
Edge Series Sink Installed in Solid Surface



Karran, your source for seamless integration.

Features and Specifications:

- Bar/prep sink
- Manufactured from Type 304 stainless steel
- 18 Gauge
- Underside coated with a sound absorption coating
- Underside affixed with rubber pads for sound absorption
- 1-1/4" x 3/4" machined, resin matrix rim
- Sink surface has a brushed satin finish
- Can only be installed in new countertops, not existing countertops with existing sink cutout
- Undermount installation required. May not be top mounted.
- This sink may be bonded seamlessly into solid surface and laminate
- This sink may be undermounted in all stone products. 1/8" overhang recommended
- Supplied without mounting adhesive, clips or template
- Digital templates for CNC machines are available at www.karran.com
- Strainer baskets shown not included with sink.
- May be ordered with 2" drain. Call for lead time.



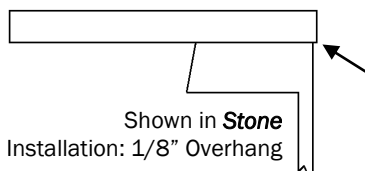
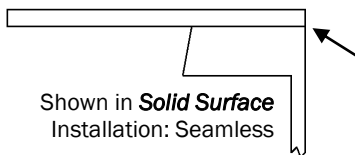
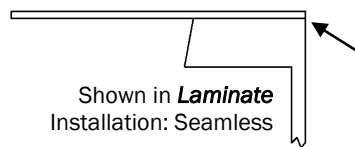
Compliance Certifications:

- Meets or exceeds:
ANSI Z124.6
CAN/CSA B45



Dimensions:

Outside: 13-1/8" x 15-1/2" x 6-5/8"
 Inside: 10-3/4" x 13-1/8" x 6-5/8"
 Approx. weight unboxed: 12lbs



Edge Series Sink Installed in Laminate



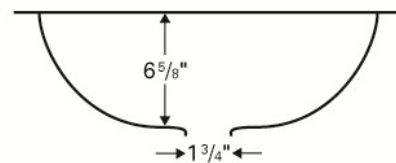
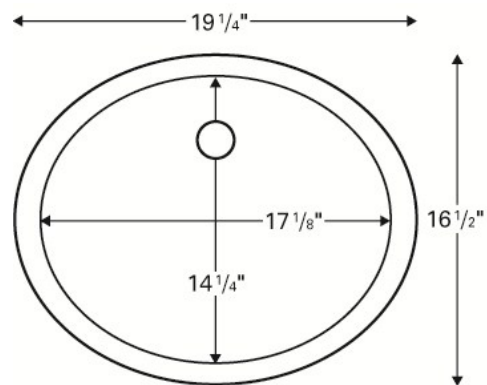
Edge Series Sink Installed in Solid Surface



Karran, your source for seamless integration.

Features and Specifications:

- Vanity sink
- Manufactured from Type 304 stainless steel
- 18 Gauge
- Underside coated with a sound absorption coating
- Underside affixed with rubber pads for sound absorption
- 1-1/4" x 3/4" machined, resin matrix rim
- Sink surface has a brushed satin finish
- Can only be installed in new countertops, not existing countertops with existing sink cutout
- Undermount installation required. May not be top mounted.
- This sink may be bonded seamlessly into solid surface and laminate
- This sink may be undermounted in all stone products. 1/8" overhang recommended
- Supplied without mounting adhesive, clips or template
- Digital templates for CNC machines are available at www.karran.com
- Strainer baskets shown not included with sink.



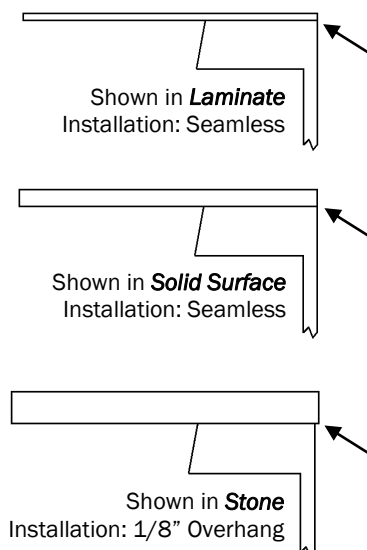
Compliance Certifications:

- Meets or exceeds:
ANSI Z124.6
CAN/CSA B45



Dimensions:

Outside: 19-1/4" x 16-1/2" x 6-5/8"
 Inside: 17-1/8" x 14-1/4" x 6-5/8"
 Approx. weight unboxed: 12lbs



Edge Series Sink Installed in Laminate



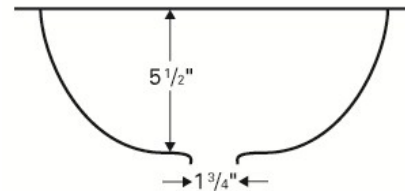
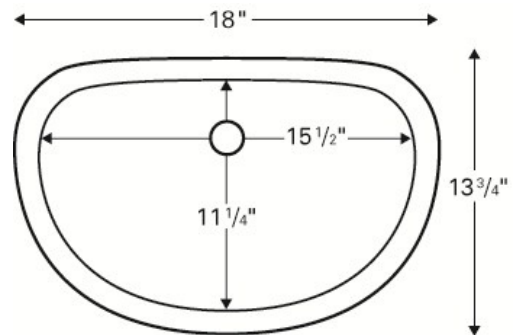
Edge Series Sink Installed in Solid Surface



Karran, your source for seamless integration.

Features and Specifications:

- Vanity sink
- Manufactured from Type 304 stainless steel
- 18 Gauge
- Underside coated with a sound absorption coating
- Underside affixed with rubber pads for sound absorption
- 1-1/4" x 3/4" machined, resin matrix rim
- Sink surface has a brushed satin finish
- Can only be installed in new countertops, not existing countertops with existing sink cutout
- Undermount installation required. May not be top mounted.
- This sink may be bonded seamlessly into solid surface and laminate
- This sink may be undermounted in all stone products. 1/8" overhang recommended
- Supplied without mounting adhesive, clips or template
- Digital templates for CNC machines are available at www.karran.com
- Strainer baskets shown not included with sink.



Compliance Certifications:

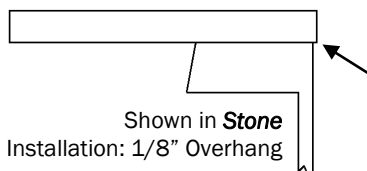
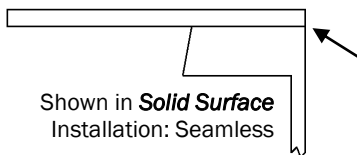
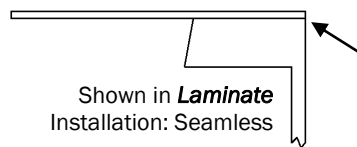
- Meets or exceeds:
 - ANSI Z124.6
 - CAN/CSA B45



- ADA Compliant when installed per Americans With Disabilities Act Accessibility Guidelines, Section 606 Sinks.

Dimensions:

Outside: 18" x 13-3/4" x 5-1/2"
 Inside: 15-1/2" x 11-1/4" x 5-1/2"
 Approx. weight unboxed: 10lbs



Edge Series Sink Installed in Laminate



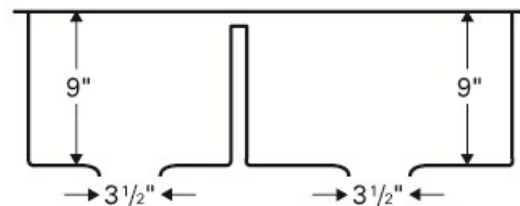
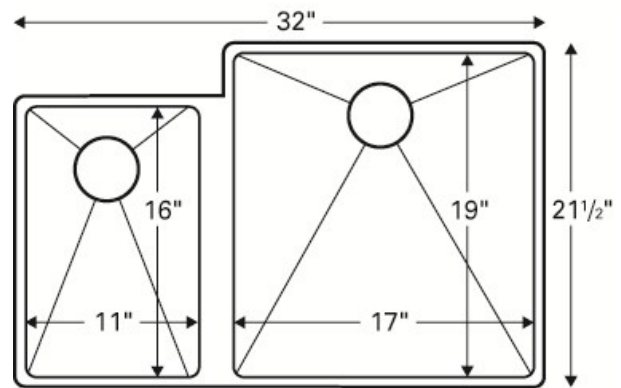
Edge Series Sink Installed in Solid Surface



Karran, your source for seamless integration.

Features and Specifications:

- Large/small bowl kitchen sink
- Manufactured from Type 304 stainless steel
- 18 Gauge
- Underside coated with a sound absorption coating
- Underside affixed with rubber pads for sound absorption
- 1-1/4" x 3/4" machined, resin matrix rim
- 15mm radius corners
- Sink surface has a brushed satin finish
- Can only be installed in new countertops, not existing countertops with existing sink cutout
- Undermount installation required. May not be top mounted.
- This sink may be bonded seamlessly into solid surface and laminate
- This sink may be undermounted in all stone products. 1/8" overhang recommended
- Supplied without mounting adhesive, clips or template
- Digital templates for CNC machines are available at www.karran.com
- Strainer baskets shown not included with sink.



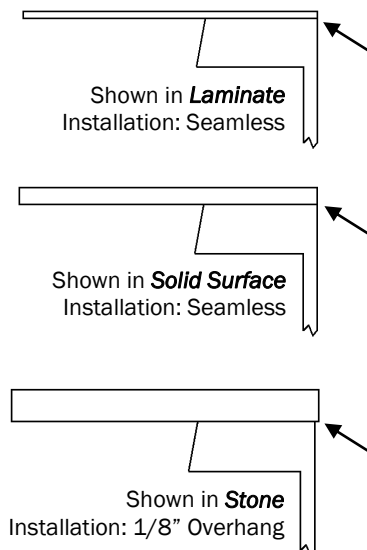
Compliance Certifications:

- Meets or exceeds:
ANSI Z124.6
CAN/CSA B45



Dimensions:

Outside: 32" x 21-1/2" x 9"
 Inside left bowl: 11" x 16" x 9"
 Inside right bowl: 17" x 19" x 9"
 Approx. weight unboxed: 40lbs
 Reverse model: E-560R



Edge Series Sink Installed in Laminate



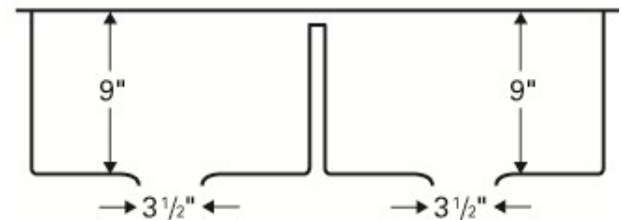
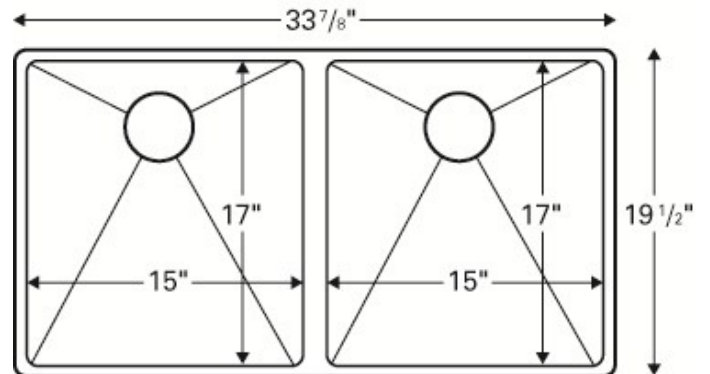
Edge Series Sink Installed in Solid Surface



Karran, your source for seamless integration.

Features and Specifications:

- Double equal bowl kitchen sink
- Manufactured from Type 304 stainless steel
- 18 Gauge
- Underside coated with a sound absorption coating
- Underside affixed with rubber pads for sound absorption
- 1-1/4" x 3/4" machined, resin matrix rim
- 15mm radius corners
- Sink surface has a brushed satin finish
- Can only be installed in new countertops, not existing countertops with existing sink cutout
- Undermount installation required. May not be top mounted.
- This sink may be bonded seamlessly into solid surface and laminate
- This sink may be undermounted in all stone products. 1/8" overhang recommended
- Supplied without mounting adhesive, clips or template
- Digital templates for CNC machines are available at www.karran.com
- Strainer baskets shown not included with sink.



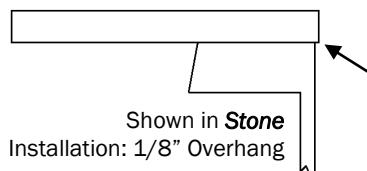
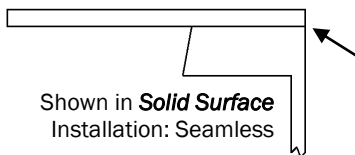
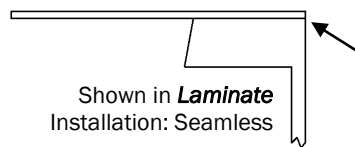
Compliance Certifications:

- Meets or exceeds:
ANSI Z124.6
CAN/CSA B45



Dimensions:

Outside: 33-7/8" x 19-1/2" x 9"
 Inside left bowl: 15" x 17" x 9"
 Inside right bowl: 15" x 17" x 9"
 Approx. weight unboxed: 40lbs



Edge Series Sink Installed in Laminate



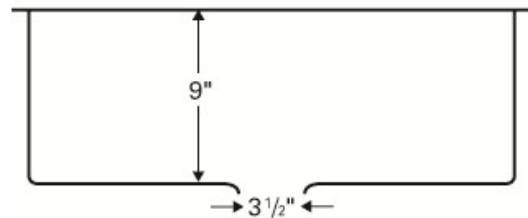
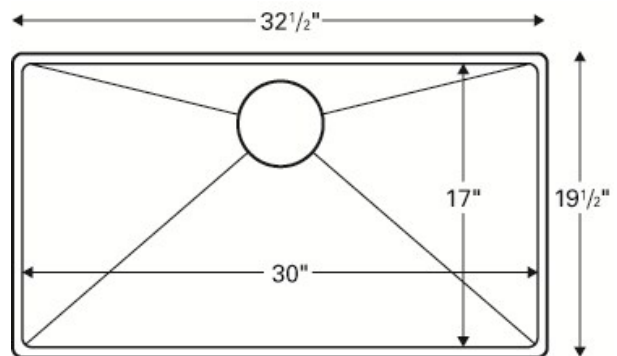
Edge Series Sink Installed in Solid Surface



Karran, your source for seamless integration.

Features and Specifications:

- Extra large single bowl kitchen sink
- Manufactured from Type 304 stainless steel
- 18 Gauge
- Underside coated with a sound absorption coating
- Underside affixed with rubber pads for sound absorption
- 1-1/4" x 3/4" machined, resin matrix rim
- 15mm radius corners
- Sink surface has a brushed satin finish
- Can only be installed in new countertops, not existing countertops with existing sink cutout
- Undermount installation required. May not be top mounted.
- This sink may be bonded seamlessly into solid surface and laminate
- This sink may be undermounted in all stone products. 1/8" overhang recommended
- Supplied without mounting adhesive, clips or template
- Digital templates for CNC machines are available at www.karran.com
- Strainer baskets shown not included with sink.



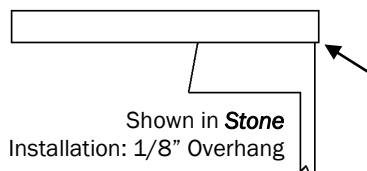
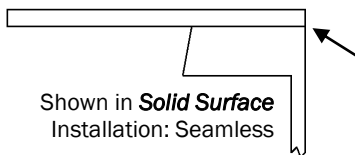
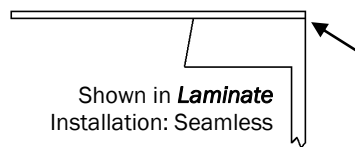
Compliance Certifications:

- Meets or exceeds:
ANSI Z124.6
CAN/CSA B45



Dimensions:

Outside: 32-1/2" x 19-1/2" x 9"
 Inside: 30" x 17" x 9"
 Approx. weight unboxed: 40lbs



Edge Series Sink Installed in Laminate



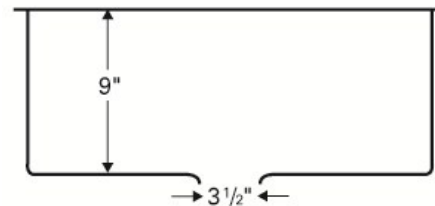
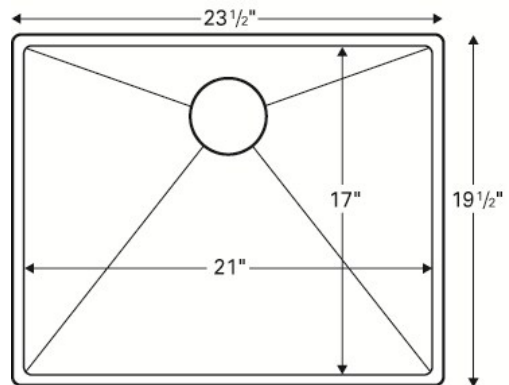
Edge Series Sink Installed in Solid Surface



Karran, your source for seamless integration.

Features and Specifications:

- Single bowl kitchen sink
- Manufactured from Type 304 stainless steel
- 18 Gauge
- Underside coated with a sound absorption coating
- Underside affixed with rubber pads for sound absorption
- 1-1/4" x 3/4" machined, resin matrix rim
- 15mm radius corners
- Sink surface has a brushed satin finish
- Can only be installed in new countertops, not existing countertops with existing sink cutout
- Undermount installation required. May not be top mounted.
- This sink may be bonded seamlessly into solid surface and laminate
- This sink may be undermounted in all stone products. 1/8" overhang recommended
- Supplied without mounting adhesive, clips or template
- Digital templates for CNC machines are available at www.karran.com
- Strainer baskets shown not included with sink.



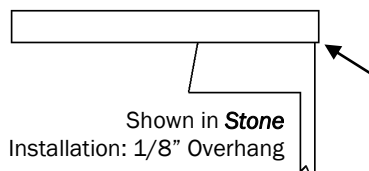
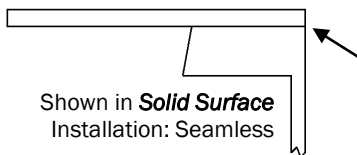
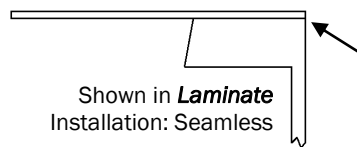
Compliance Certifications:

- Meets or exceeds:
ANSI Z124.6
CAN/CSA B45



Dimensions:

Outside: 23-1/2" x 19-1/2" x 9"
 Inside: 21" x 17" x 9"
 Approx. weight unboxed: 30lbs



Edge Series Sink Installed in Laminate



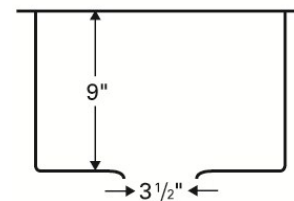
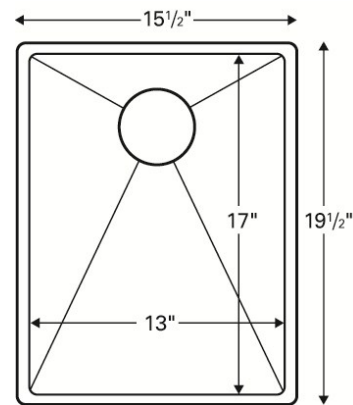
Edge Series Sink Installed in Solid Surface



Karran, your source for seamless integration.

Features and Specifications:

- Bar/prep sink
- Manufactured from Type 304 stainless steel
- 18 Gauge
- Underside coated with a sound absorption coating
- Underside affixed with rubber pads for sound absorption
- 1-1/4" x 3/4" machined, resin matrix rim
- 15mm radius corners
- Sink surface has a brushed satin finish
- Can only be installed in new countertops, not existing countertops with existing sink cutout
- Undermount installation required. May not be top mounted.
- This sink may be bonded seamlessly into solid surface and laminate
- This sink may be undermounted in all stone products. 1/8" overhang recommended
- Supplied without mounting adhesive, clips or template
- Digital templates for CNC machines are available at www.karran.com
- Strainer baskets shown not included with sink.



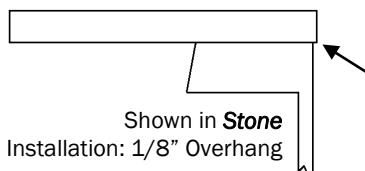
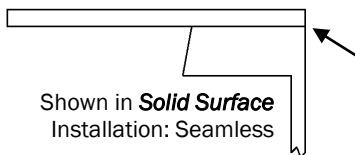
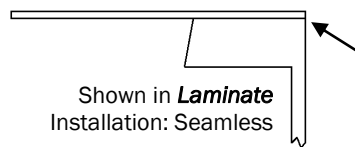
Compliance Certifications:

- Meets or exceeds:
ANSI Z124.6
CAN/CSA B45



Dimensions:

Outside: 15-1/2" x 19-1/2" x 9"
 Inside: 13" x 17" x 9"
 Approx. weight unboxed: 25lbs



Edge Series Sink Installed in Laminate



Edge Series Sink Installed in Solid Surface



Karran, your source for seamless integration.